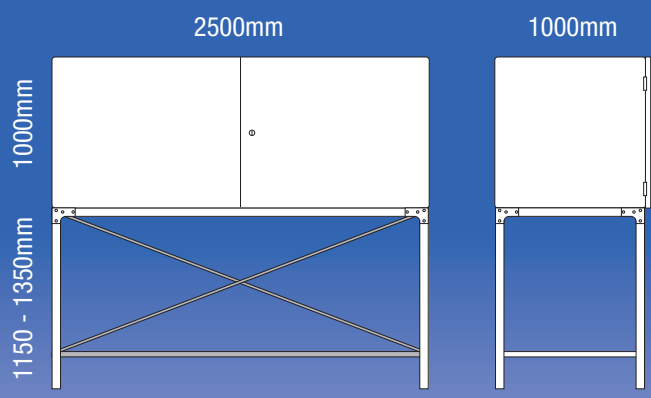


**WILL NOT BE
BEATEN ON PRICE**

Park and Store

Secure Above Bonnet Storage Solutions



Park and Store

Phone: 03 9646 5517

Email: info@parkandstore.com.au

www.parkandstore.com.au

Park and Store Pty Ltd
ABN 83 957 321 977



The ideal storage solution for your apartment.

Park and Store's storage box is designed to fit over the bonnet of your car, including large 4WD's, yet still be at a convenient height for easy access.

The powder coated steel construction guarantees secure, easy-to-clean, storage that protects your goods from dust and vermin. The unit is also fire/water resistant and comes with a 12 month warranty.



Features

- 2.5 cubic metres of storage
- Powder coated white steel finish
- Will hold up to 500kg
- Adjustable stand height
- Secure built-in lock
- User-friendly hinged doors
- Bulk order discounts

